

# OUTWAY

## PT0719

1000LM

### Retro But Modern Design



SOLAR WALL LIGHT



Solar



ALS



Safety



Ray Sensor



45°C  
0°C  
Charging  
temperature



80°C  
-20°C  
Working  
temperature



# **Ultra-Large Lens Luminous Design**

The wall light with Perfect black sky design.

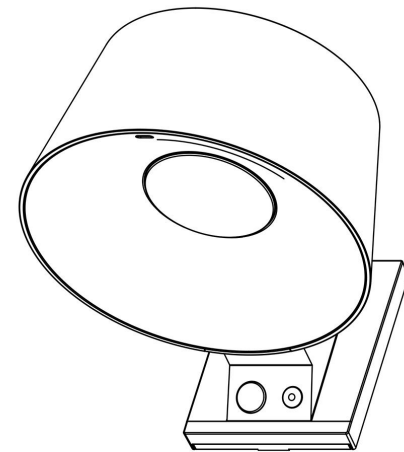
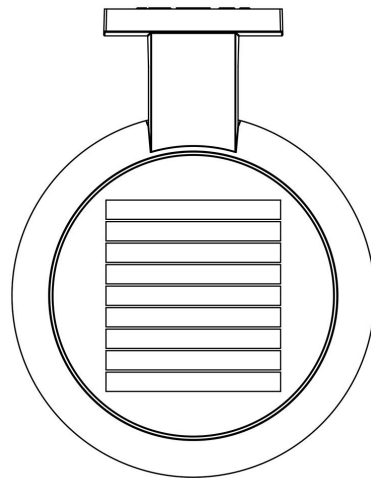
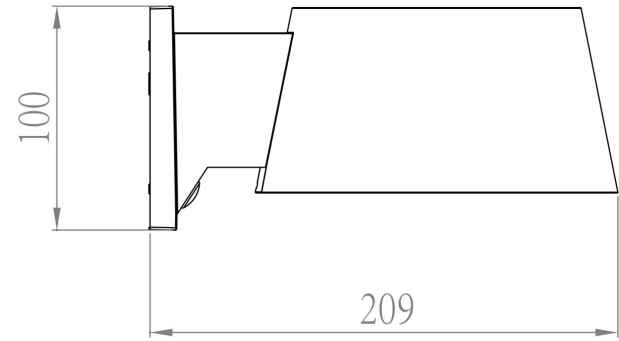
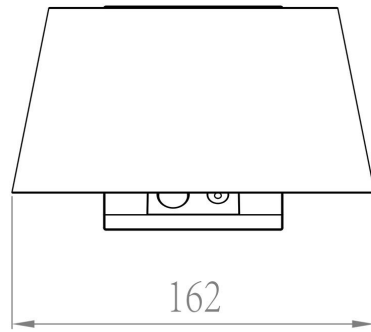
## Silicone button

Four lighting mode  
selections, smooth  
transition of light  
without a steep drop



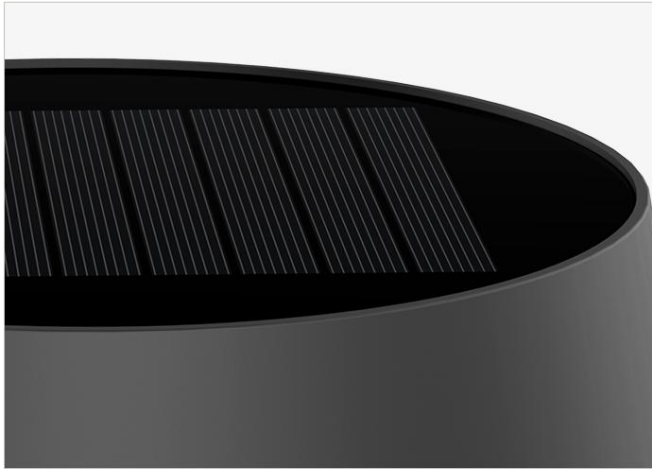
<b>Item: PT0719</b>	
Light Brightness	1000 Lumens
<b>Solar panel</b>	
Power	Monocrystalline silicon, 4.86V/1W
<b>Li-ion battery</b>	
Capacity	3.7V 7.4WH
Charging / Discharging Temp	0~45°C / -20~60°C
Charging Time	10H
LED	2835, 20pcs
CCT	4000K, Ra>70
Efficiency	190lm/W
Types of Lighting	The rotation symmetry is 120°
<b>Performance</b>	
Lighting Time in Rainy day	>10 days
Lighting Mode	M1: 25% till dawn M2: 10% + PIR (30S) till dawn M3: 0% + PIR (30S) till dawn M4: 100% till dawn
Indicator Light	Work Indicator: The red indicator light is always on during boot/ discharge Mode Switching: M1: Flash 1 time; M2: flash 2 times; M3: flash 3 times; M4: flash 4 times
Switch	1. ON and OFF: long press for 1.5S 2. Short press to switch the lighting mode
Core Technology	ALS2.3
PIR	120°, 5m.Max
IP	IP54
Install Height	2.5~3m
Material	ABS + PS
Net Weight	0.42KG

unit: mm



SOLAR WALL LIGHT

SOLAR WALL LIGHT



Monocrystalline silicon solar panel



PIR: 120°, 5m.Max

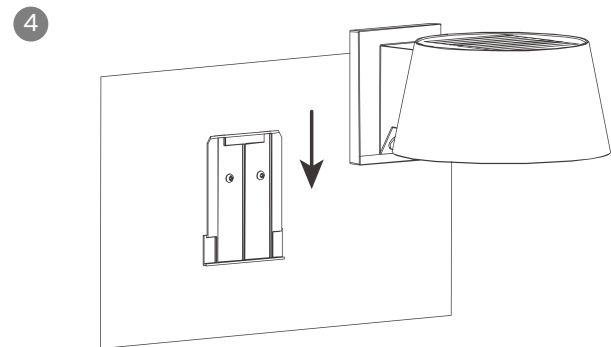
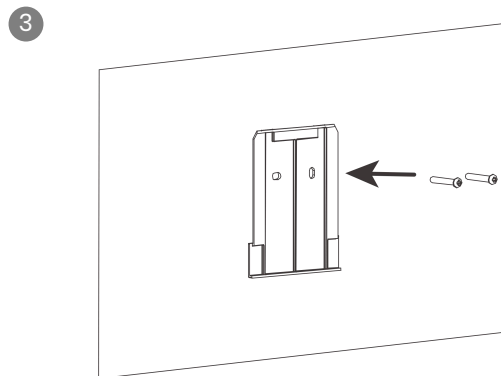
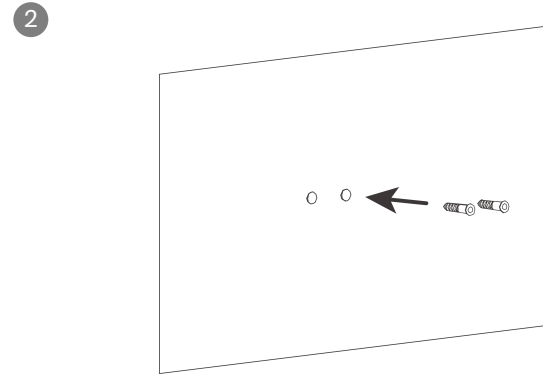
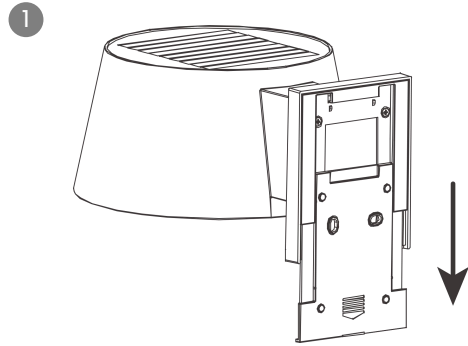


High lumen LEDs 190lm/W

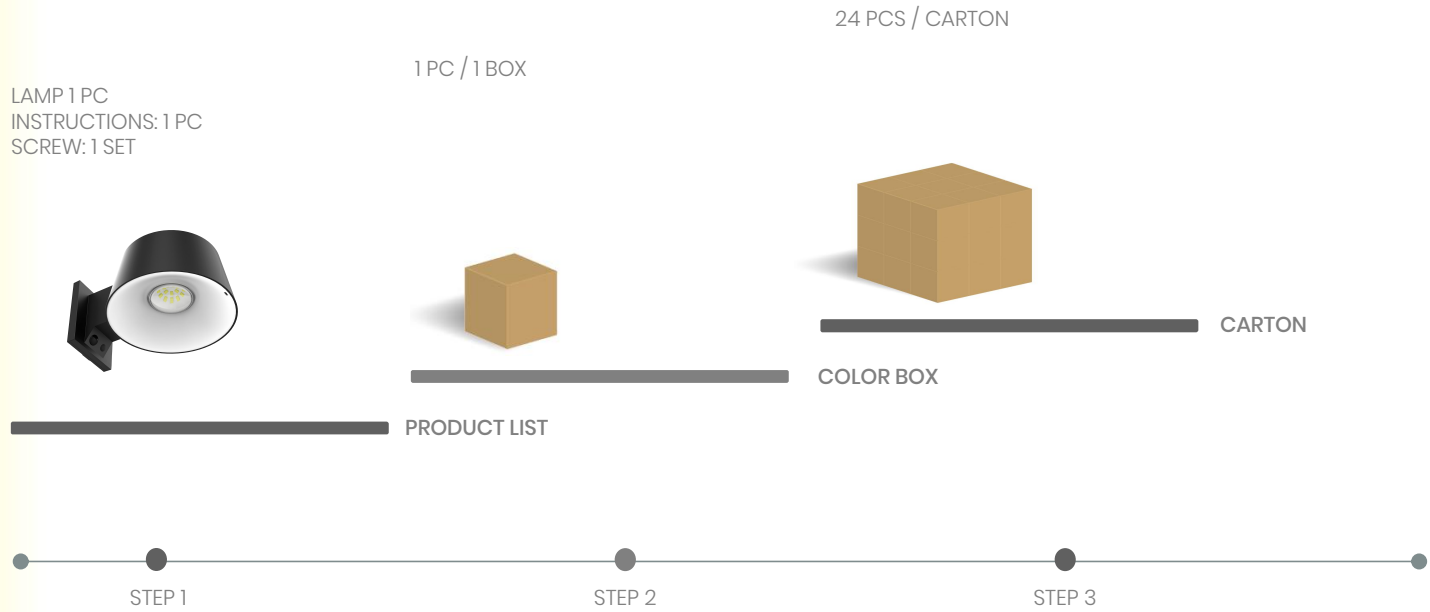


A Great Company should always pay the highest attention to every detail of design, and the craftsmanship spirit should be filled in the whole design process and mass production.

Punch holes in the wall and install plastic columns  
Fix the lamp with screws



SOLAR WALL LIGHT



MODEL NO.	PACKING METHOD	PCS/CTN	QTY(PCS)	CTN QTY	CARTON SIZE(MM)	N.W.(KG)	G.W.(KG)
PT0719	INNER BOX	1	1	1	214x166x110	-	-
	CARTON	24	24	1	518x448x460	-	-

Net weight and gross weight are for reference only





S O L A R / W A L L / L I G H T

*OutWay*

Ningbo Blossom Imp& Exp PTY LTD

Contact: Sammi Zhu

Phone: 0481 206 533

Email: [sales@outway.com.au](mailto:sales@outway.com.au)

Address: NO.1 Hetou Rd. Hengxi, Ningbo, China

Web: [www.outway.com.au](http://www.outway.com.au)



WhatsApp



Instagram