

*OutWay*

[www.outway.com.au](http://www.outway.com.au)

# MULTI-PURPOSE SOLAR LIGHT

*OutWay*

SOLAR GARDEN LIGHT  
“SPARKS FLY”



DESIGN IN AUSTRALIA

[www.outway.com.au](http://www.outway.com.au)

[outway.au@gmail.com](mailto:outway.au@gmail.com)

*OutWay*



## 34cm Sparks Fly -Cut Solar Garden Light

Body: Reinforced die-cast aluminum, high strength, impact-resistant, sleek texture, superior corrosion resistance.

20 high-lumen LED light sources.

Transparent diamond-cut lampshade design ensures uniform light distribution and enhanced illumination.

Modular pole system | Dualheight adjustment (34cm/54cm)

---



*OutWay*



## 54cm Sparks Fly -Cut Solar In-Ground Light

High-efficiency monocrystalline silicon solar panel with  $\geq 2W$  output.

Built-in LiFePO4 battery (3000mAh), long lifespan, safe operation.

Adjustable Color Temperature: 3000K, 4500K, 6500K

---



## Lighting Features ▶



### Reinforced Die-Cast Aluminum

- Seamless molding, ultra-high rigidity
- Slim profile with premium texture
- Superior corrosion resistance



### Diamond-Inspired Design

- Aesthetic inspired by diamond geometry



### IP65 waterproof rating

- Reliable operation in rain or shine



## Color Temperature Options ▶



3000K / Warm White



4500K / Pure White



6500K / Warm White



### ● Application Scenarios:

Beam Angle: 180° wide illumination.

Ideal for: Villa gardens, residential courtyards, park plazas, landscape areas, modern architectural lighting.

Installation spacing: 2-4 meters recommended.

## Product Specifications ▶

| Model                                   |                                  |
|---|----------------------------------|
| Sparks Fly                              | PT0300                           |
| Category                                |                                  |
| Monocrystalline Silicon Solar Panel (W) | 2W / 5V                          |
| LiFePO4 Battery (mAh)                   | 3.2V / 3000mAh                   |
| Light Source                            | 2835                             |
| LED Quantity                            | 20pcs                            |
| Housing Material                        | Die-Cast Aluminum + PC Lampshade |
| Color                                   | Black                            |
| Net Weight (kg)                         | 0.82kg                           |
| Product Size (mm)                       | φ 185mm x H340/540mm             |
| Installation Distance (m)               | 2-4m                             |

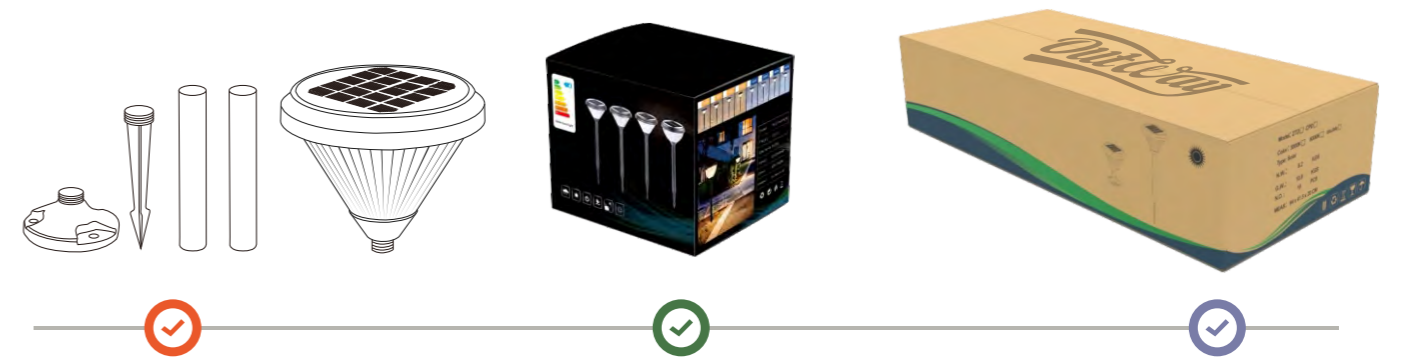
| Performance                         |                                   |
|-------------------------------------|-----------------------------------|
| Rated Power (W)                     | 2W                                |
| Input Voltage (V)                   | DC 3.2V                           |
| Color Temperature (K)               | 3000K / 4500K / 6000K             |
| Luminous Flux (lm)                  | 104.68lm (3000K)、112.02lm (6500K) |
| Color Rendering Index               | CRI > 80                          |
| Operating Time (Light Control Mode) | 3~5 rainy days                    |
| Waterproof Grade                    | IP 65                             |
| Luminous Angle                      | 180°                              |

| Operating environment + |             |
|-------------------------|-------------|
| Operating environment   | -25°C~ 50°C |
| Operating humidity      | 10%-90%     |

## Lights Dimensions Diagram ▶



## Packaging Information ▶



Garden Light\*1

Single Color Box

Fixture Master Carton

| Type  | Packaging Type | Quantity per Unit | Carton Quantity | Carton Dimensions (mm) | Net Weight (kg) | Gross Weight (kg) |
|-------|----------------|-------------------|-----------------|------------------------|-----------------|-------------------|
| Solar | Inner Box      | 1                 | 1               | 200 x 185 x 180        |                 | 0.99              |
|       | Outer Box      | 6                 | 1               | 400 x 230 x 600        | 5.5             | 8.1               |

Net weight and gross weight are for reference only

# Luminaire Details



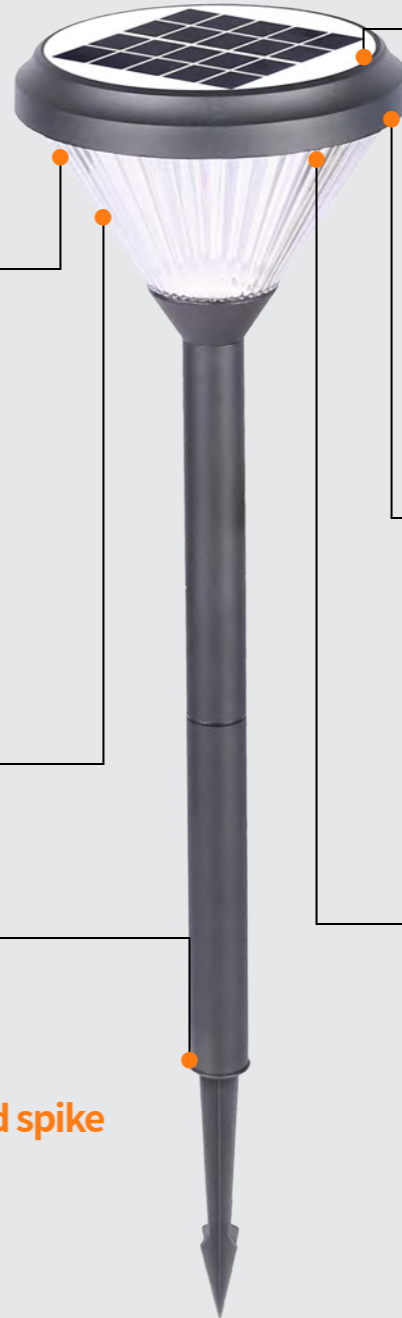
## High-lumen 2835 chip

High-power LED chip, bright light, lifespan up to 80,000-100,000 hours.



## Monocrystalline solar panel

High-efficiency photovoltaic conversion, rapid energy storage. Charges normally in rainy/overcast conditions.



## PC transparent lampshade

Wide coverage, soft and even light diffusion. PC material, high hardness, UV-resistant.



## Waterproof button switch

Light activates automatically at dusk. (Note: Solar panel requires darkness to trigger illumination)



## LiFePO4 battery (3Ah)

High safety, 2000+ charge cycles, fast charging.



## Reinforced die-cast aluminum ground spike

Full aluminum body, weatherproof and durable. Two-section pole assembly.

Ground spike allows easy installation in soil or secure base with 2 expansion screws .

## Sparks Fly /Solar Garden Light

### Application:

Landscape lighting for villas, parks, residential areas, industrial zones, modern architecture.

180° illumination, optimal installation spacing: 2-4 meters.

Scenario Demonstration ▶



Scenario Demonstration ▶



Scenario Demonstration ▶



Scenario Demonstration ▶



Scenario Demonstration ▶



Scenario Demonstration ▶

