

FOUNTAIN

OUTWAY | T007ES

LED Solar Floodlight

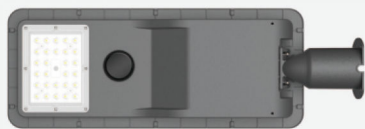
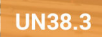
- Beam Angle 130°
- Die-casting Aluminum
- 150lm/w

OutWay Outdoor Lighting

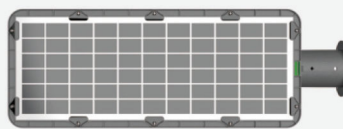


T007E FOUNTAIN

LED Solar Streetlight



FRONT VIEW

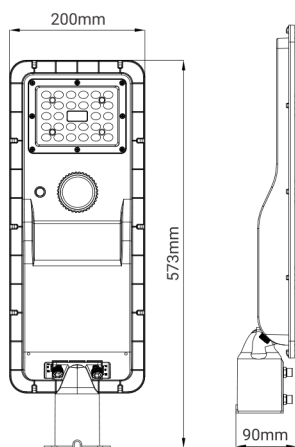


BACK VIEW

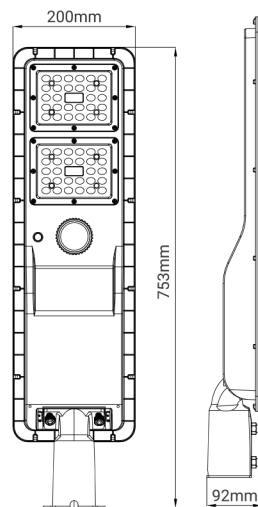


SWIVEL RANGE

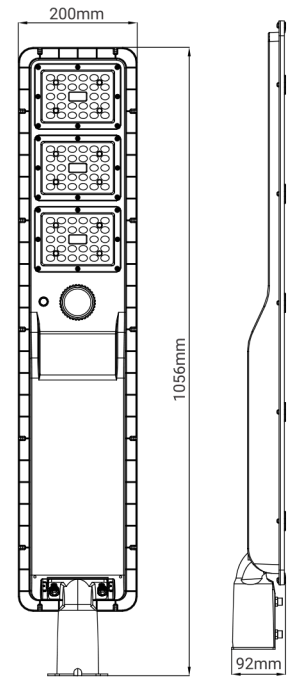
DIMENSIONAL LINE DRAWING



T007ES-60W



T007ES-120W



T007ES-180W



WATERPROOF



ANTI-IMPACT



PRODUCT LIFETIME



THREE-YEAR WARRANTY



CLASS III



WORKING TEMPERATURE

Input Voltage 5VDC

CCT 6500K

Efficacy (±10%) 150LM/W

Range of Voltage 4~7.2VDC

CRI RA70

Beam Angle 130°

PRODUCT FEATURES



8H SOLAR CHARGE



24H WORKING TIME



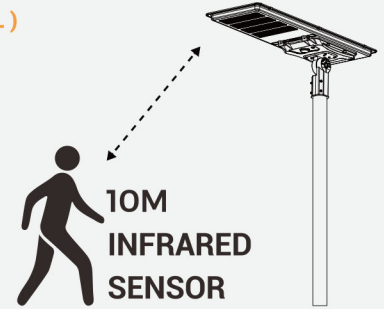
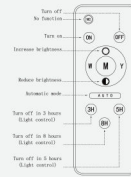
10M REMOTE CONTROL



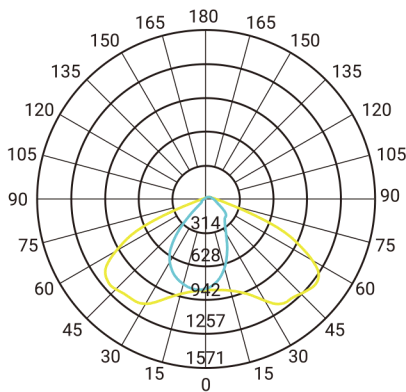
2,000 TIMES BATTERY LIFE

MOTION SENSOR (OPTIONAL)

REMOTE CONTROL



PHOTOMETRIC DATA



130°*75°

HIGHLIGHTS

- Integrated design for easy installation.
- With time control and motion sensor for energy saving.
- Monocrystalline silicon photovoltaic panel ,efficiency > 22%.
- LiFePO4 Battery ,working time more than 2,000 cycles.
- The top of the lamp is equipped with a level for easy installation.
- The arm capable of 0~105° adjustable, suitable for different installation requirements.

APPLICATIONS



Transportation & industrial areas



Streets



Squares



Roadside



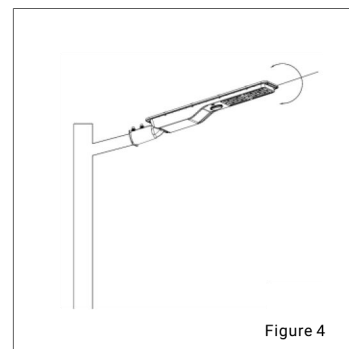
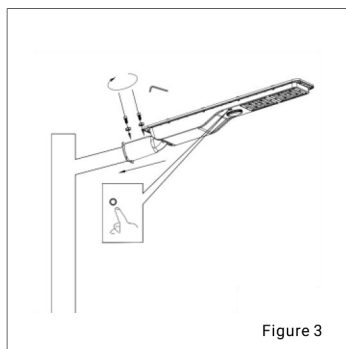
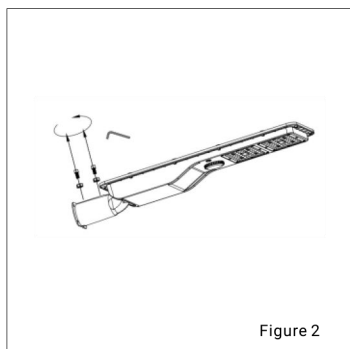
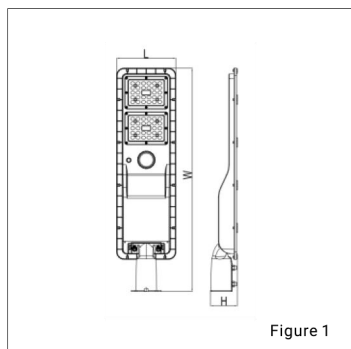
Parking lot

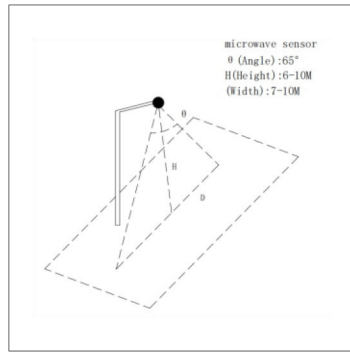
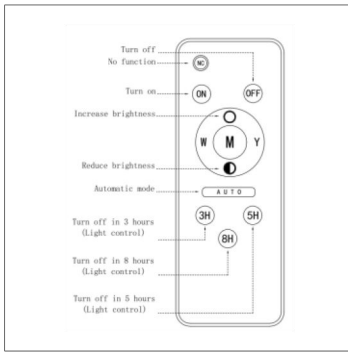
GENERAL INFORMATION

Power	60W ($\frac{12W}{\text{Actual power}}$)	120W ($\frac{16W}{\text{Actual power}}$)	180W ($\frac{20W}{\text{Actual power}}$)
LEDs Type &Qty	28pcs SMD	56pcs SMD	84pcs SMD
Luminous Flux ($\pm 10\%$)	1800lm	2800lm	3800lm
LiFePO4 Battery (32650)	3.2V/15AH	3.2V/20AH	3.2V/30AH
Product Dimension (mm)	200×573×90	200×753×92	200×1056×92
Charge Time	8~10hrs		
Working time	2 night/24 hours		
Efficacy ($\pm 10\%$)	150LM/W		
Correlated Color	6500K		
Color Rendering Index	Ra70		
Beam Angle	130°*60°		
Power Supply	Solar		
Input Voltage	5 VDC		
Range of Voltage	4~7.2 VDC		
Housing	Aluminum Alloy		
Diffuser	PC		
Braket Color	Gray		
IP Rating	IP65		
IK Rating	IK06		
Insulation class	Class III		
Operating Temperature	-20°C to + 40°C		
Life Time	>36000Hrs		
Warranty	3 Years		
Dimmable	Yes (time-control mode operated by remote controller)		
Control Distance	≤10 m		

- For environmental protection reasons, the products are designed to be low-carbon. From January 1, 2021, our company will no longer provide plastic bags for packaging by default, making a contribution to global low-carbon and environmental protection.

MOUNTING





WARNING:

1. The solar panel should be installed on the sunny surface. Do not install it under a tree or a building blocking the sunlight, which may affect the use effect.
2. Please read all following instructions before installing the unit.
3. User should prepare necessary accessories and spare parts (not provided).
4. If the external flexible cable or cord of this luminaire is damaged, it shall be exclusively replaced by the manufacturer or his service agent or a similar qualified person in order to avoid a hazard.
5. The light source contained in this luminaire shall only be replaced by the manufacturer or his service agent or a similar qualified person.
6. The luminaire should be positioned so that prolonged staring into the luminaire at a distance closer than 0.3 m is not expected.
7. The following conditions will shorten the battery life;
 - 1) No charging for a long time;
 - 2) Working at temperatures close to or even exceeding the upper or lower limits for extended periods of time;
8. The lamp contains lithium battery, please keep a note of classification and recycling of the hazardous waste for environmental protection.

HIGHLIGHTS

