

# HELIO

## OUTWAY | T001E

LED Solar Floodlight

- 8 hours (Charging time)
- 2 night/24 hours (Working time)
- 10M Remote Control



# T001E HELIO

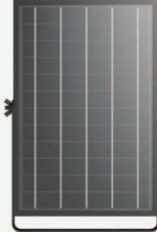
LED Solar Floodlight



FRONT VIEW



BACK VIEW

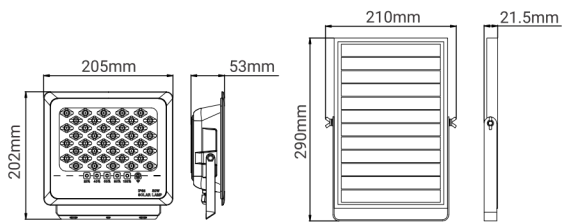


SOLAR PANEL

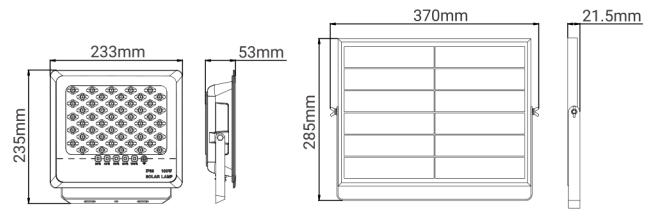


SWIVEL RANGE

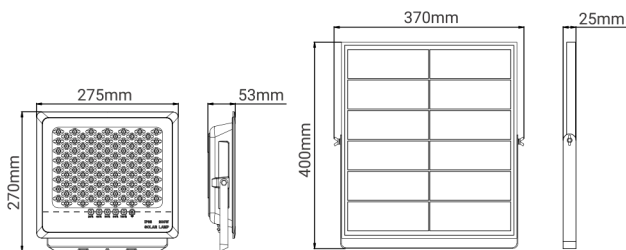
## DIMENSIONAL LINE DRAWING



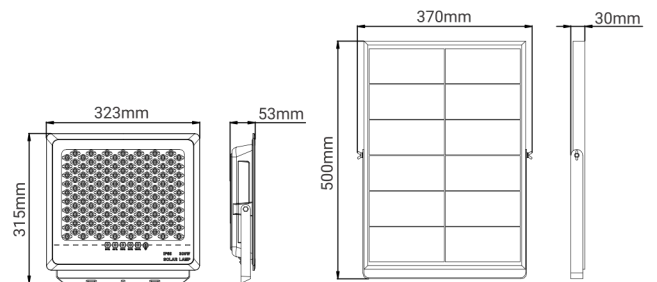
T001E-50W



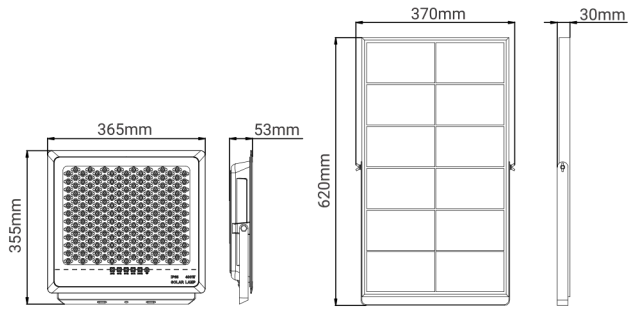
T001E-100W



T001E-200W



T001E-300W



T001E-400W

 WATERPROOF	 ANTI-IMPACT	 PRODUCT LIFETIME	 TWO-YEAR WARRANTY	 CLASS III	 WORKING TEMPERATURE
---	--	---	--	--	--

Input Voltage 5VDC

CCT 6500K





Efficacy (±10%) 150LM/W

Range of Voltage 4~7.2VDC

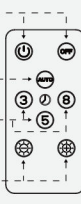
CRI Ra70

Beam Angle 120°

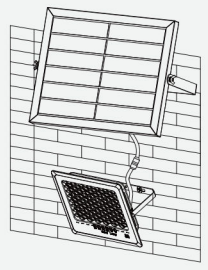
**PRODUCT FEATURES**

 8H SOLAR CHARGE	 24H WORKING TIME	 10M REMOTE CONTROL	 2,000 TIMES BATTERY LIFE
--	---	---	---

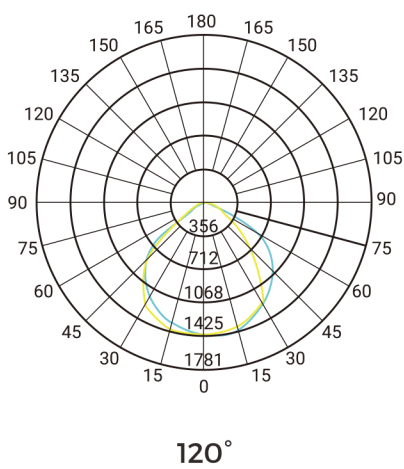
**REMOTE CONTROL**




- Turn on/Turn off
- Automatic mode
- Turn off in 3/5/8 hours (light control)
- decrease luminance
- increase luminance



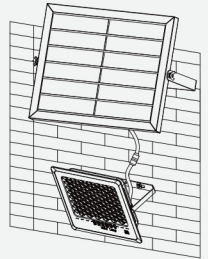
## PHOTOMETRIC DATA



**MOTION SENSOR**



10M INFRARED SENSOR





## HIGHLIGHTS

- Integrated impact molding with high impact resistance.
- Monocrystalline silicon photovoltaic panel ,efficiency > 22%.
- LiFePO4 Battery ,working time more than 2,000 cycles.
- Removable bracket, 180 degree rotation.
- Standard respirator to prevent water vapor.
- With motion sensor
- 150CM VDE rubber cable HO5RN-F 2G 1.0mm<sup>2</sup>.

## APPLICATIONS



Doorway & Entrance



Villa Garden



Corridors & Balcony



Parks



Roadside

## GENERAL INFORMATION

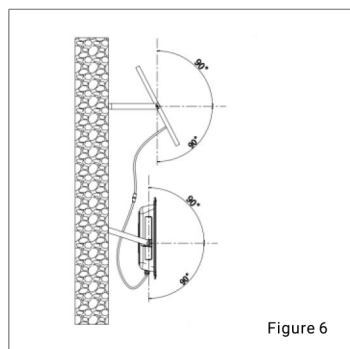
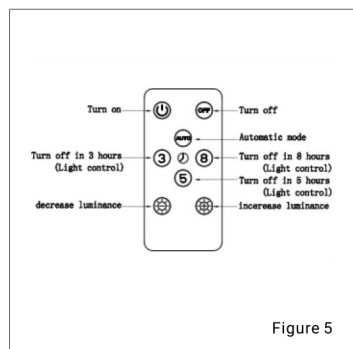
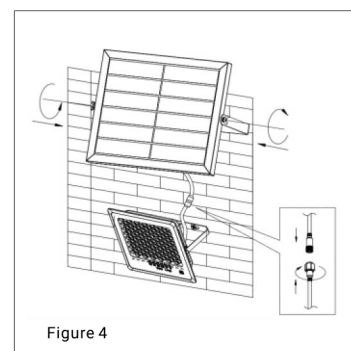
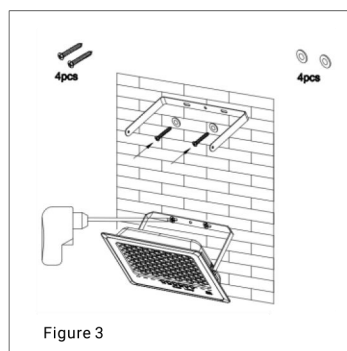
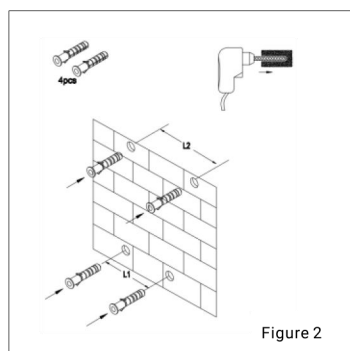
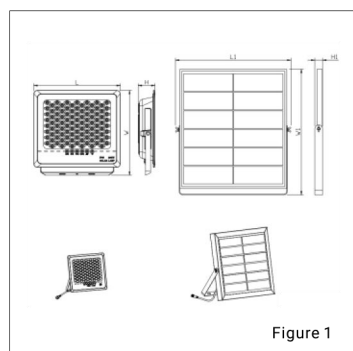
Power	50W ( <small>6W Actual power</small> )	100W ( <small>10W Actual power</small> )	200W ( <small>13W Actual power</small> )	300W ( <small>20W Actual power</small> )	400W ( <small>26W Actual power</small> )
LEDs Type & Qty	80pcs SMD	100pcs SMD	208pcs SMD	300pcs SMD	408pcs SMD
Luminous Flux (±10%)	900lm	1500lm	2000lm	3000lm	4000lm
Solar Panel	6W	12W	18W	25W	30W
LiFePO4 Battery (32650)	3.2V/5AH	3.2V/10AH	3.2V/15AH	3.2V/20AH	3.2V/30AH
Product Dimension (mm)	205×180×53	233×235×53	275×270×53	323×315×53	365×355×53
Solar Panel Dimension (mm)	270×180×17	340×260×17	380×340×17	480×340×25	600×340×25
Charge Time	8~10 hrs				
Working time	2 night/24 hours				
Efficacy (±10%)	150LM/W				
Correlated Color	6500K				
Color Rendering Index	Ra70				
Beam Angle	120°				
Power Supply	Solar				
Input Voltage	6 VDC				
Range of Voltage	4~7.2 VDC				
Housing	IRON				
Optics	Clear Tempered Glass				
Braket Color	Black				
IP Rating	IP65				
IK Rating	IK07				
Insulation class	Class III				
Mounting Option	Wall Mounted				
Operating Temperature	-20°C to + 40°C				
Life Time	>36000Hrs				
Warranty	2 Years				

- For environmental protection reasons, the products are designed to be low-carbon. From January 1, 2021, our company will no longer provide plastic bags for packaging by default, making a contribution to global low-carbon and environmental protection.

# MOUNTING

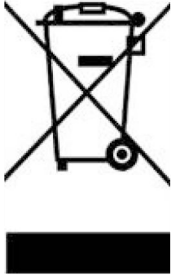
## WARNING:

1. The solar panel should be installed on the sunny surface. Do not install it under a tree or a building blocking the sunlight, which may affect the use effect.
2. Please read all following instructions before installing the unit.
3. User should prepare necessary accessories and spare parts (not provided).
4. If the external flexible cable or cord of this luminaire is damaged, it shall be exclusively replaced by the manufacturer or his service agent or a similar qualified person in order to avoid a hazard.
5. The light source contained in this luminaire shall only be replaced by the manufacturer or his service agent or a similar qualified person.
6. The luminaire should be positioned so that prolonged staring into the luminaire at a distance closer than 0.3 m is not expected.



## MONUTING:

1. Do not mount a surface prone to vibrations, the installation height is 1.8-6 meters.
2. Trepanning on the wall according to the bracket hole site, put the expansion screw. (see fig.2)
3. Fix the light and solar panel on the wall. (see fig.3)
4. Connect the leads between the solar panel and the floodlight. Adjust the product illumination angle according to the usage requirements (see fig.4)
5. Turn on the lamp by remote control, it is defaulted as light-control time-control mode, See the function description of the remote control. (see fig.5)
6. Adjustable Angle by rotation. (see fig.6)



This marking indicates that this product should not be disposed with other household wastes throughout the EU. To prevent possible harm to the environment or human health from uncontrolled waste disposal, recycle it responsibly to promote the sustainable reuse of material resources. To return your used device, please use the return and collection systems or contact the retailer where the product was purchased. They can take this product for environmental safe recycling.

## HIGHLIGHTS

