

OutWay

OUTWAY | E023EIS

LED Floodlight With PIR Sensor

- Best Selling
- Die-Casting Aluminum
- 90lm/w

OUTWAY
SOLUTION Outdoor Lighting



E023EIS STELLAR

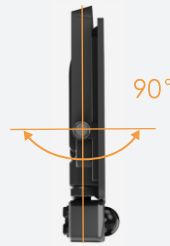
LED Floodlight with motion sensor



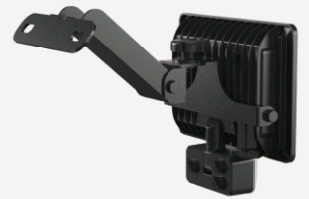
WITHOUT SENSOR



BACK VIEW

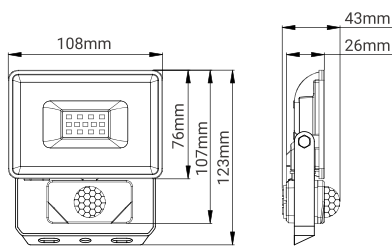


SWIVEL RANGE

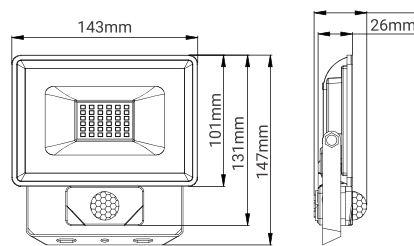


UNIVERSAL MOUNTING BRACKET

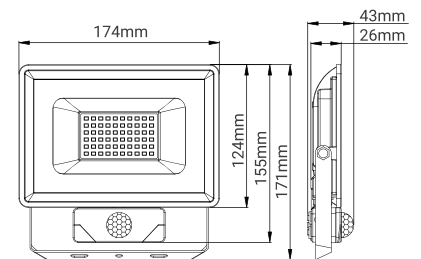
DIMENSIONAL LINE DRAWING



E023EIS-20W



E023EIS-30W



E023EIS-50W



WATERPROOF



ANTI-IMPACT



PRODUCT LIFETIME



TWO-YEAR WARRANTY



2KV SURGE PROTECTION



CLASS I



WORKING TEMPERATURE
WITH SENSOR -20-40°C
WITHOUT SENSOR -40-50°C

Input Voltage 220~240V

Frequency 50 / 60 Hz

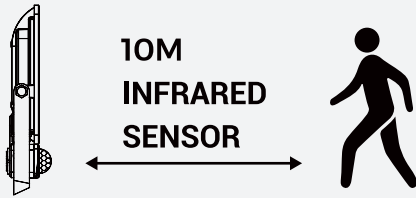
CCT 6500K

CRI Ra70 /80

Efficacy (±10%) 90LM/W

Beam Angle 120°

INFRARED SENSOR (OPTIONAL)



ADJUSTMENT KNOBS

TIME



Time-delay
10sec~10min

SENS



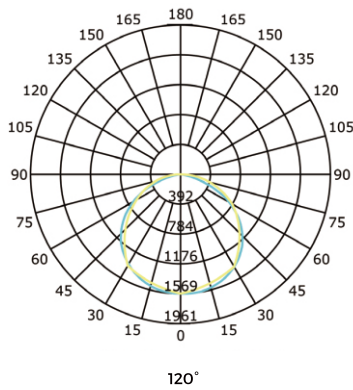
Detection distance
Max 10m (Ta 25 C)

LUX

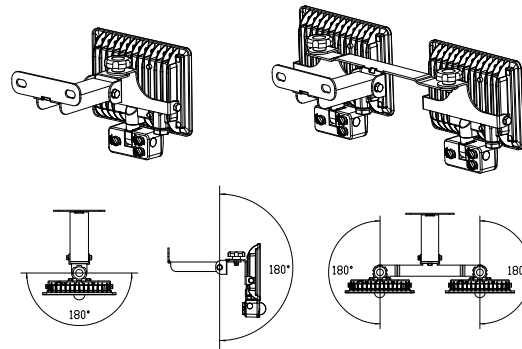


Ambient light
3-2000LUX

PHOTOMETRIC DATA



UNIVERSAL MOUNTING BRACKET



HIGHLIGHTS

- Patent design ,upgrade version of classic model E023EI ,which is the earliest No.1 selling DOB series and leadership in the DOB generation.
- Upgrade to thinner design to lower packaging volume and save more space for shipment .
- Upgrade to free disassembly bracket for quick and easy installation (Installation screws are optional).
- Sensor can be 90° adjustable horizontally and vertically with detection range 120°.
- IP65 &IK06 ,90 lm/w 100lm/w or 120lm/w is optional.
- Powered by tuya intelligence inside for smart control is optional.
- Universal mounting bracket with 180° rotation is optional.

APPLICATIONS



Doorway & Entrance



Villa Garden



Corridors & Balcony



Parks



Roadside



Architecture



Billboard



Parking Lot



Basement

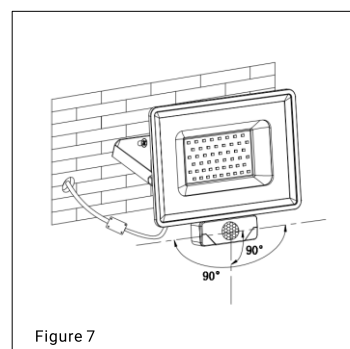
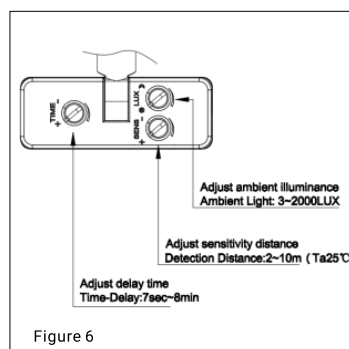
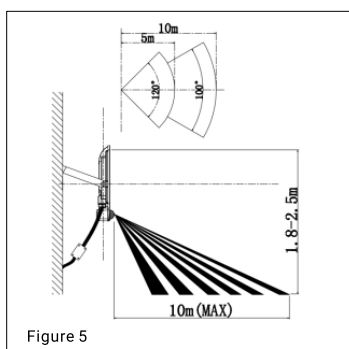
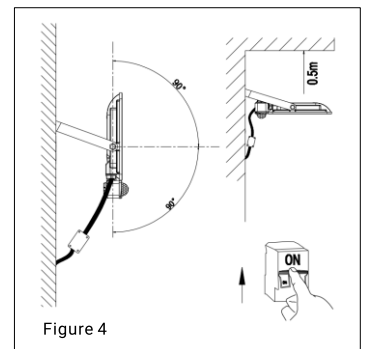
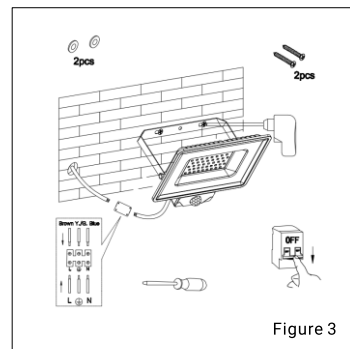
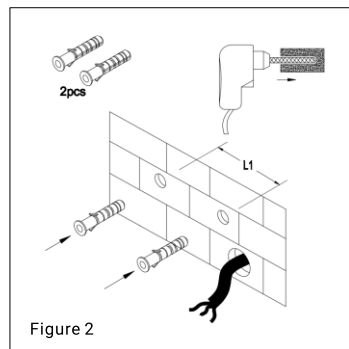
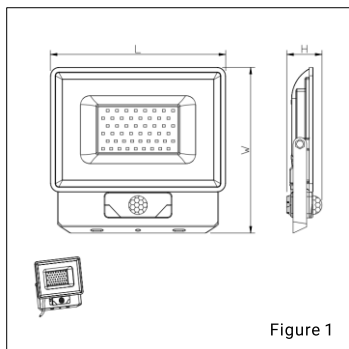
GENERAL INFORMATION

Power	20W	30W	50W
LEDs Type &Qty	24pcs	36pcs	60pcs
Luminous Flux (±10%)	2000lm	3000lm	5000lm
Surge Protection	1KV		2KV
Power cord	150cm HO5RN - F3G1.0mm ² cable with an Australian - standard plug		
Product Dimension (mm)	108×123×43	143×147×43	174×171×43

Efficacy (±10%)	90LM/W
Correlated Color	6500K
Color Rendering Index	Ra70 (Ra80 optional)
Beam Angle	120°
Power Supply	Unisolated constant current Drive
Frequency	50 / 60 Hz
Input Voltage	220-240 VAC
Range of Voltage Acceptable	180-265 VAC
Power Factor	≥0.9
Housing	Die casting aluminum
Diffuser	Toughened glass
Finish	Powder Coating
Fixture Color	Black
IP Rating	IP65
IK Rating	IK06
Insulation class	Class I
Mounting Option	Fixed installation
Operating Temperature	-20°C to + 40°C
Life Time	>36000Hrs
Warranty	2 Years

- For environmental protection reasons, the products are designed to be low-carbon. From January 1, 2021, our company will no longer provide plastic bags for packaging by default, making a contribution to global low-carbon and environmental protection.

MOUNTING



WARNING:

- 1.Ensure power is turned off before installation .
- 2.Please read through all following instructions before installing the unit.
- 3.User should prepare necessary accessories and spare parts (not provided) .
- 4.The Floodlight must be earthed.
- 5.In the case of damage the safety shield, you must replace immediately-with tempered glass.
- 6.Method of attachment of the cable or cord such that any replacement can only be made by the manufacturer, his service agent or similarly qualified person.

WARNING:

- 1.Product dimensions diagram.(see fig.1)
- 2.Mark the hole position for fixing bracket onto the wall. Drill the wall at the marked positions (screw not supplied).(see fig.2)
- 3.Mount the bracket back to the fixture. Adjust the floodlight to desired position and tighten the screw of fixing bracket.Connect your mains cable(H05RN-F 3G1.0mm² Recommended) with the input lead of our product through the waterproof junction box. Note the Line(-) of the lead. (Need to use the junction box of IP65 or above, ensure to tighten the waterproof screw)(see fig.3)
- 4.Open the power to make sure if the product can be lighten. Adjust the irradiation angle according to the condition of usage.(see fig.4)
- 5.How to set up the adjustment .(see fig.5.6.7)

HIGHLIGHTS

