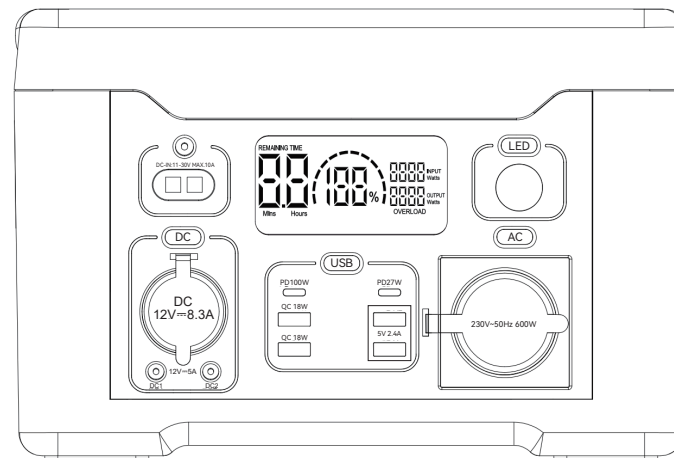


LOGO

# Portable Power Station



# User Manual Portable Power Station 600W

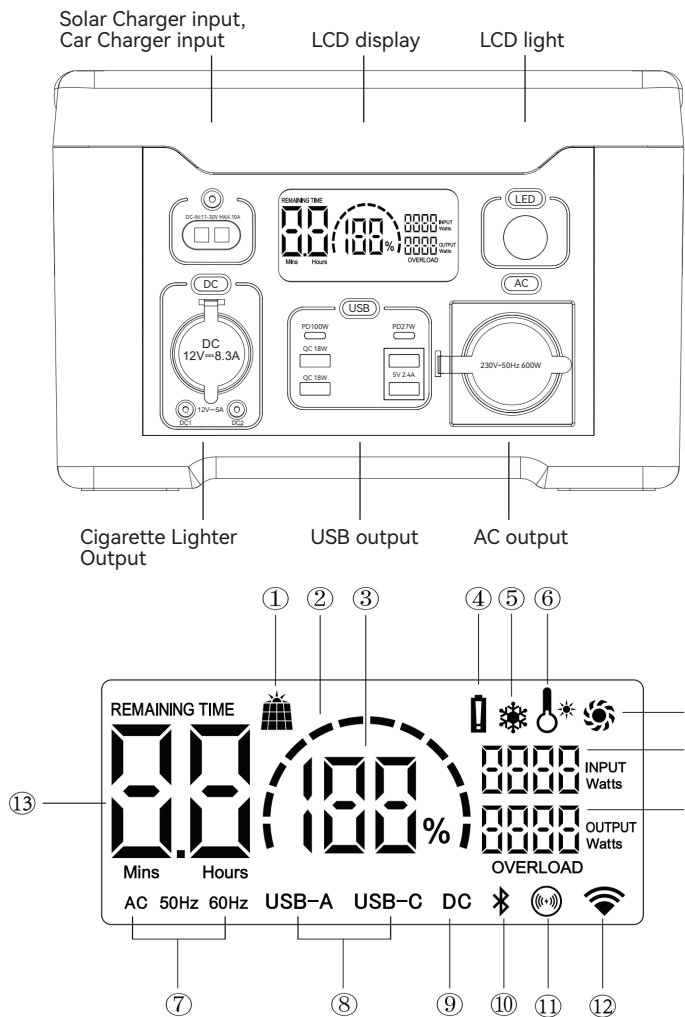
## Important Safety Information Notes



### Warning

1. Do not short-circuit the unit. To avoid short-circuiting, keep the unit away from all metal objects (e.g.coins, hair-pins, keys, etc.).
2. Do not heat the unit. or dispose of it in fire, water or other liquids. Keep away from high temperatures.
3. Do not expose the unit to direct sunlight. Keep away from high humidity, dusty places.
4. Do not disassemble or reassemble this unit.
5. Do not drop and place heavy objects on, or allow strong impact to this unit.
6. This appliance is not intended for use by persons (including children) with reduced physical, Sensory or mental capabilities, or lack of experience and knowledge, unless they have been given Supervision or instruction concerning use of the appliance by a person responsible for their safety.
7. Children should be supervised to ensure that they do not play with the appliance.
8. The unit may become hot when charging. This is normal. Be careful when handling.
9. Use the unit properly to avoid electronic shock.
10. The product is only used for emergency power station, it can not replace the standard DC or AC power of household appliances or digital products.
11. Do not overcharge the internal battery. See Instruction Manual.

## Product introduction:



## The description indicated by the display:

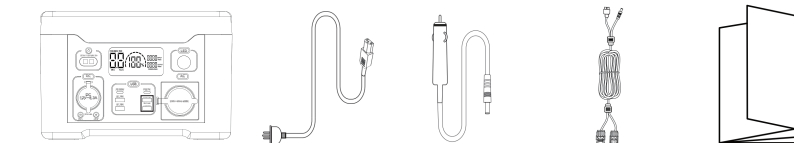
The LCD display shows the charging and discharging status of the product. When you use the product, the LCD display shows the remaining power.

NO.	Name	Brief Description of Functions
①	Solar energy indication	Photovoltaic charging display
②	Power identification	Display the corresponding power level and turn on the running lamp when charging
③	Battery Indicator	Indicates the current power consumption of the product, displayed in percentage (%)
④	Battery pack high temperature indication	Battery pack high temperature alarm display
⑤	Low temperature indication of battery pack	Battery temperature below 0 °C, It will not charged
⑥	High temperature alarm	Indicates the temperature alarm of the inverter, and the condition is 90-95 degrees
⑦	AC frequency	Click the AC button when the display is lit, AC output is workable
⑧	QC 18W- 5V 2.4A Interface indication	When the display screen is lit, click the QC 18W/5V 2.4A button, and the QC 18W/5V 2.4A output can work
⑨	DC interface	Click the DC button when the display is lit, Cigarette Lighter and DC1/2 Output is workable
⑩	Bluetooth	/
⑪	Wireless charging	Click the USB button when the display screen is lit, and the wireless charging device is in standby mode. It works normally when in contact with the wireless charging device
⑫	WIFI	/
⑬	Charging and discharging remaining time indication	When charging, it indicates the remaining charging time, and when working, it indicates the remaining available time.
⑭	Fan	When the temperature reaches 40 degrees, the cooling fan operates
⑮	Charging power indication	8888 displays INPUT power figures
⑯	Discharge power indication	8888 displays OUTPUT power figures

## Technical parameters:

Specification(total output rated power 600W)			
Solar energy input	11-30V/10A(MAX.)	Weight	Net weight: 5.66Kg
PD output	PD output: 100W PD output: 27W	Size	260*172*172mm
Battery capacity	Lithium ion 26Ah @21.9V 569.4Wh	Service life	≥1000 cycles
AC output	Municipal power output 230V 50Hz Rated power 600W		Pure sine wave, Peak power 1200W
Cigarette Lighter Output	12V/8.3A, Total output of 100W at the same time as DC1/2	DC1/2 output	Specifications: 5521 Single port output12V/5A, Output a total of 100W at the same time
QC 18W output	QC3.0 5V/3A, 9V/2A, 12V/1.5A		
5V 2.4A output	Single port output 5V/2.4A, Total max.12W	Certificate	CE/RoHS
Software management system	Overcharge protection Short circuit protection Overdischarge protection Overcurrent protection Overvoltage protection Overtemperature protection Overheat protection Overload protection Dormancy protection Battery protection	Storage environment temperature	-20~+60°C
		Working environment temperature	Discharging Temperature -15~+35°C Recharging Temperature 0~+35°C

## Package content:



Portable power supply 600W    AC input line    Car charging source line    MC4 charging line    User Manual

## Instructions:

### Charging mode

1. Before using or storing the product, please use the AC charging line to plug into the AC input port to be fully charged. The LCD screen will show the current charge. When the LCD screen shows 100%, it is full. The charging process takes 40 minutes to charge 80%, and the charge lasts about 1.6 hours.
2. DC6530 charging port supports a maximum of 100W charge for about 7-10 hours.
3. Solar charging input port supports 11-30V wide range input voltage charging mode, and supports MPPT solar maximum power tracking function; supports solar input charging, supports maximum input power 100W.

Power supply AC input  
About 1-1.5 hours

Car charger 12V  
About 7-10 hours

\* 100W solar photovoltaic panel  
About 7-10 hours (the charging time is determined by the sun's light intensity-supporting solar photovoltaic panel charging (11-30V)

Support wireless charging, adapt to all current wireless charging mobile phones, the maximum power supports 15W charging

## Application Equipment:

1. USB output port: as an energy storage power source for outdoor office power, it can connect consumer digital devices such as smartphones, tablet computers, smartwatches, digital cameras, e-readers and so on.
2. Car charging output port: car refrigerator, car inflatable pump, car vacuum cleaner.
3. DC output port: UAV, router, car refrigerator and other 12V power supply equipment, outdoor photography, off-road enthusiasts outdoor electricity, TV station recording equipment outdoor power consumption.
4. AC output port: outdoor lighting power consumption, field maintenance emergency power consumption of telecommunications departments, emergency power consumption of mines, oil fields, geological exploration, geological disaster rescue, etc.



Car refrigerator  
(60W)About 8 hours



Electric drill (345W)  
About 1.2 hours



Notebook computer  
(58.2Wh)About 8 times



Game console (16Wh)  
About 31 times



Unmanned aerial  
vehicle (40.42Wh)  
About 12 times



Tablet computer (32.4Wh)  
About 15 times



Camera (16.4Wh)  
About 30 times

**+ MORE**

## Usage:

1. Click all keys to use, and click close again.
2. Click the LED button, turn on the LED light, click again, the LED light is enhanced, press again, start the SOS LED flashing, press again, turn off SOS LED.
3. Press the power button on each port you will use, and when the corresponding icon appears on the LED display, the output port is turned on and the corresponding device can be powered on.
4. The product supports input charging and output discharge at the same time.
5. When the charge and discharge is completed, please pull out the connection cable in time.

## Note:

1. For the first time, it is recommended that the mobile power supply should be fully charged and the three-plug cord input line should be used.
2. Insufficient power is shown during use, please recharge as soon as possible.
3. When the power port is not in use, press the on key to turn it off to save power.
4. If the product is not used for a long time, it should be recharged every 3 months. It is better to keep the electricity at 60%, 80%, and store it in a cool and dry place.
5. After long-term storage, the product needs to be charged and discharged several times to obtain the best use effect.
6. The screen shows that the current energy available time of the product varies with the change of the current output power, the power of the load is not constant, and the display time is only roughly estimated based on the current power.

7. When the device power of the AC output port is less than 2W, the output will be turned off automatically after 45 minutes of work.
8. When the USB output port uses the device power less than 1W, the product will automatically turn off the output after working for 8 hours.
9. When the DC or the vehicle charging output port uses the device power less than 1W, the output will be turned off automatically after working for 8 hours.
10. AC output power lasts 600W (peak 1200W), exceeding the maximum power of 1200W 0.2s, the product will automatically turn off the power supply to protect the product from damage due to overload use. The AC output side overload short circuit will alarm flicker, the screen appears exclamation point, remove the fault and then re-open the AC button.
11. The USB output terminal is overloaded, short-circuited and has no output. Remove the load fault device and release it.
12. DC and car charging output short-circuit overload will alarm, DC symbol flashes, re-open the DC button to release.

## Warranty and Service:

Product Warranty Information:

Applicable product	Warranty coverage	Warranty period (month)	Type of service
Main engine	Whole	24	Customers send or send repairs

Comments and instructions:

This warranty card is the warranty certificate of \*\*\* and products. With this card, you can enjoy the after-sales maintenance service provided by the authorized maintenance center. Please keep it properly.

1. All users who buy records and products will enjoy the "three guarantees" service in accordance with the relevant provisions of the state.
2. Users who buy this product can enjoy an two-year free warranty, which is limited to the mainframe and does not include accessories and gifts (shell damage fee).
3. If the warranty fails free of charge under the following circumstances, maintenance services can be provided, but the material fee and service fee shall be charged during maintenance:

- Damage caused by force majeure.
- Damage caused by human factors, including damage caused by using in abnormal working environment and not in accordance with the operating instructions.
- The user dismantles the machine by himself, modifies it, repairs it or maintains it in an unapproved and authorized maintenance center.
- No product warranty card and valid purchase voucher (invoice).
- The product serial number does not match or is damaged.
- Expired free warranty.

## Warranty Certificate

Product information	Product Model:_____ Product No.:_____ Invoice No.: _____ Purchase Date: _____
User information	User Name: _____Tel: _____ Mailing Address:_____ Postal Code:_____
Reseller information	Name of The Organization(Valid With Seal):_____ Mailing Address:_____ Postal Code:_____Tel: _____
Maintenance unit information	Name of The Organization(Valid With Seal):_____ Mailing Address:_____ Postal Code:_____Tel: _____
Logistice code:	



Do not place equipment and its accessories in the trash. Items must be properly disposed of in accordance with local regulations. See [www.epa.gov](http://www.epa.gov) for additional information.